



ATMOSPHERIC SEAL

7 CPM



GAS FLUSH

6 CPM



HERMETIC SHRINK

7 CPM



VACUUM/GAS

5 CPM



SKIN PACK

2 CPM



SKIN PLUS

2 CPM



SKIN DEEP

2 CPM

TTe

Semi-automatic, drawer type, tray sealing machine with full vacuum facility.

Capable of sealing up to **10 Vacuum/Gas packs** per minute with a 2 impression tool.

At the core of the 'e' design is its flexibility to perform any style of heat seal to a pre-formed tray, be that atmospheric, MAP, VMAP, Skin, Skin Plus, or Skin Deep. Each of these options can be added now or at a later date, or indeed removed as necessary. This flexibility provides the user with the assurance that whatever the latest packaging trend might be, they have equipment suitably geared for the future.

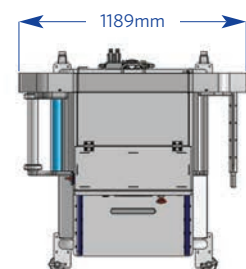
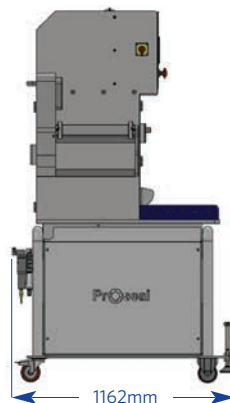
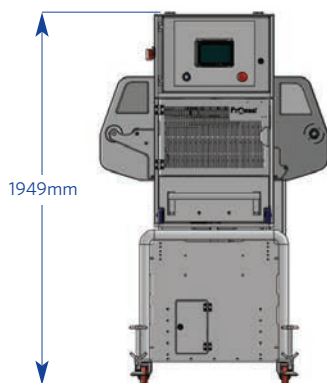
Packaging Materials

Trays

- C-PET
- A-PET
- R-PET
- Polypropylene
- PVC / Styrene
- Board / Paper
- Smooth Wall Foil
- Cardboard Sandwich Skillets

Lidding

- Co-extruded and Laminated Polyester Films
- Foil
- Board
- Paper



Standard design features and benefits

- Five minute tool changeover
- Low maintenance polymer bearings
- Simple and accurate film-feed system with easy film route
- Maintenance friendly robust construction
- Accurate temperature and seal pressure control
- Automatic film roll clamping
- Fully portable and castor mounted
- High accuracy tool alignment system provides a constantly accurate sealing and/or film-cutting relationship with the tray flange profile
- Simple design and operation
- All around seal only (No Cut) for packs with pre-cut or hinged lids
- All around seal and contoured film-cut with skeletal film rewind
- Automatic seal operation with accurate seal dwell time
- Food industry approved hygienic construction and wash-down protection
- Full Category 3 guarding
- 'Auto Tool' - Touch of a button tool change system, automatically locates and connects tooling to machine functions including all MAP options
- Tooling can be upgraded to operate on the **GTOe** or **GTRe** in-line machine

Options available

- Free flow gas flush MAP (Modified Atmosphere Packaging)
- High Oxygen (O²) gas flush
- Inclusion of a 100m³/hour vacuum pump
- **Vacuum** - used for applications such as retorting or for when the lid level needs to be controlled
- **Vacuum Gas** - ideal for where residual gas levels have to be sub 1%
- **Skin** - Skin packaging sub flange
- **Skin Plus** - Skin packaging up to 50mm above the tray flange
- **Skin Deep** - Skin packaging up to 100mm above the tray flange
- **Close Cut** - Method of maximising throughput and reducing film waste
- **Inboard Cut (IC)** option to provide 'form, fill and seal' tray presentation
- Film coding and printing
- Foil crimping
- Pastry blocking
- Pharmaceutical Blister Packaging Machines
- Sandwich Pack Sealing for Board, Recyclable and Non-Recyclable Plastic
- **Hot Rod** - long-lasting, water resistant seal tool heating element giving reduced energy consumption especially developed for sealing Smooth Wall Foil Trays
- Sale, Lease Purchase and Rental options available

TTe Specifications

Height	1949mm
Standard Length	1189mm
Width	1162mm
Weight	615kg
Electrical Supply	400V 3 phase + neutral (fused at 16A)
Transformer Variations	208V 3 phase (fused at 30A) 480V 3 phase (fused at 20A) 600V 3 phase (fused at 15A)

TTe Sealing capacity

No. of trays	Length	Width	Depth	Diameter
One	270mm	439mm	120mm	270mm
Two	270mm	207mm	120mm	207mm
Three	270mm	104mm	120mm	104mm
Four	270mm	71mm	120mm	71mm

Metric

Imperial

Pressure	Flow	Pressure	Flow
6 Bar	425L/Min	87psi	15CFM

Transformers are available to accommodate the electrical supplies in different countries



PORK | C-PET

PUDDING | A-PET

SANDWICHES | BOARD

FISH | POLYPROP

RED MEAT | POLYPROP

for more information UK +44 (0) 1625 856 600 America +1 804 447 9038 Australia +61 (0) 3 9397 0955

www.proseal.com